



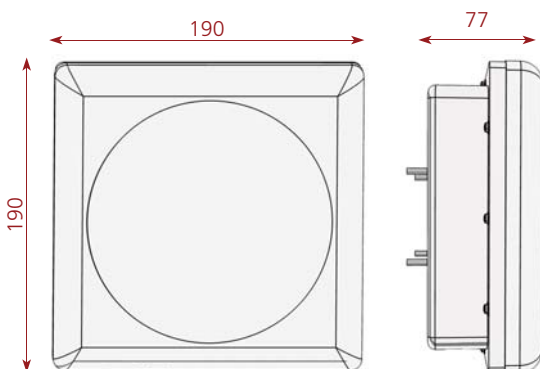
Edge-30R AutoID

Rugged and small factory RFID UHF reader with great performance. Easy to use, it works on an autonomous mode and is fully configurable through a simple HTML page. Using an integrated 7.5 dBic antenna, it is ready to go and requires no software.

• Features

- Easy to use, work on an autonomous mode, requiring no software;
- Data sent in real time to your server;
- Ethernet TCP/IP communication;
- Fully configurable through a HTML page;
- Up to 2 client connections to receive read data and reader status;
- Integrated 7.5 dBic Antenna, requiring no RF cable;
- Power and communication in the same cable, allowing a cheaper and easier set-up;
- Two working modes: Continuous and Trigger (input sensor event);
- Opto-isolated digital input for dry-contact, NPN and PNP sensors for trigger event on Trigger Work Mode;
- Small size, giving no visual impact;
- Configurable tag signal (RSSI) filter;

• Dimensions [mm]



• Technical Specifications

Power Consumption	15W (max) @ 30 dBm and high duty cycle
User Interface	No SDK or API required, works in autonomous mode
	Data sent through TCP port
	Settings changed via webpage
Mechanical Specs	
IP Rating	IP66 (with M23 connector properly attached)
Dimension	190 x 190 x 77 mm
Weigh	1.5kg
Storage Temp.	-10°C to 70°C
Operating Temp.	-10°C to 65°C
Humidity	95%
Mounting	1" to 3" poles and flat surfaces (using the rear support)
Shock resistance	IEC 60721-3-4 4M5
Integrated Antenna Specs	
Frequency	902 - 928 MHz
Gain	7.0 dBic (min), 7.5 dBic (max)
VSWR	1.3:1 (max)
3dB Elevation Beamwidth	71° ±1°
3dB Azimuth Beamwidth	70° ±3°
Polarization	RHCP
Axial ratio @ Boresight	1 dB (typ), 1.3 dB (max)
Axial ratio @ 20°	2 dB (typ), 3.5 dB (max)

* Considering stabilized and regulated power source for 12V DC, installation electromagnetic noise-free environment and without the presence of metal surfaces near the reader.